



A CRANE IN THE HEAVIEST AND STRONGEST CLASS.

M81T - a crane with a new level of strength and reach.

The Moheda M81T is designed for the Moheda M151/M151-4WD trailers and is also sold to tractor assemblers and OEM customers for mounting on medium-sized forestry machines. The M81T has a number of improved features: longer reach, higher lifting torque, stronger torque and better movement patterns.

The M81T has a reach of 7.8 metres and an increased lifting torque of 37%, lifting 700 kg at maximum reach and as much as

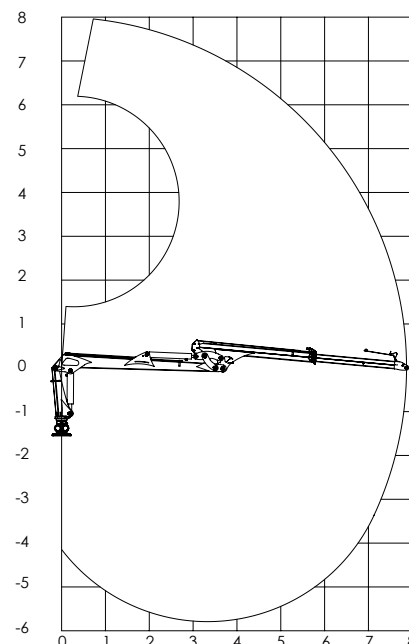
1,450 kg at 4 m. The slewing force is increased by a full 75%, to 21 kNm.

As standard, the crane is equipped with Hultdin's Supergrip 260, rotator CR600 with braked link and multi-lever valve.

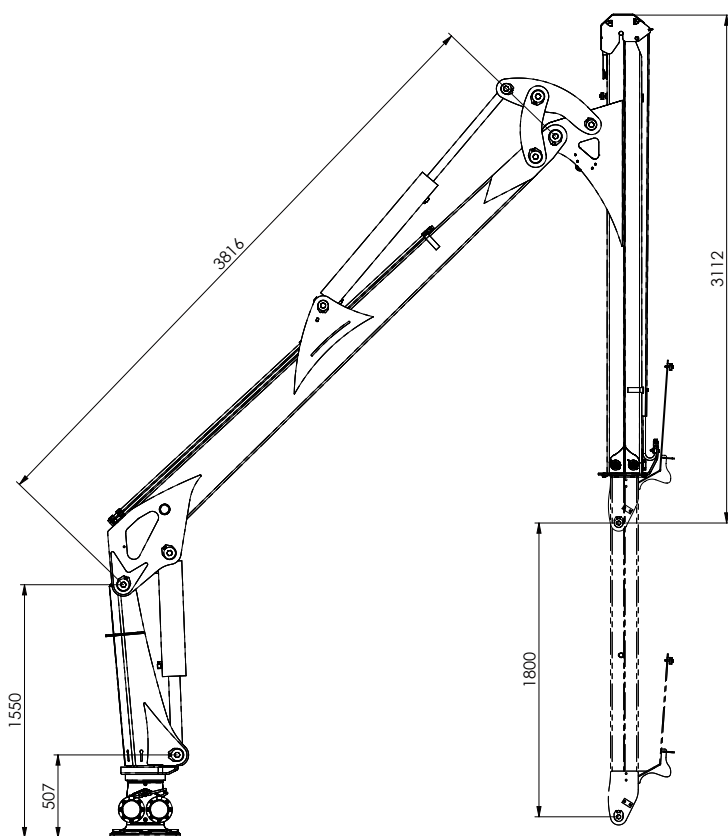
There are also numerous valves and control systems together with a list of accessories to choose from. Visit the website or your local dealer for more info.



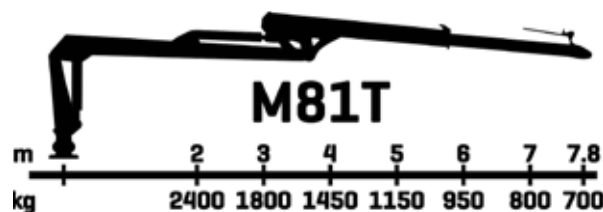
Reach diagram



Dimension details



Lift capacity



Technical data

M81T	
Reach (m)	7,8
Lift torque (kNm)	81
Lift capacity, max reach (kg)	700
Lift capacity, 4m (kg)	1450
Slew torque (kNm)	21
Slew angle	360°
Rec. oil flow (l/min)	70-90
Working pressure (bar)	190
Weight without grapple and rotator (kg)	1320



Scan the QR code for more information about M81T crane